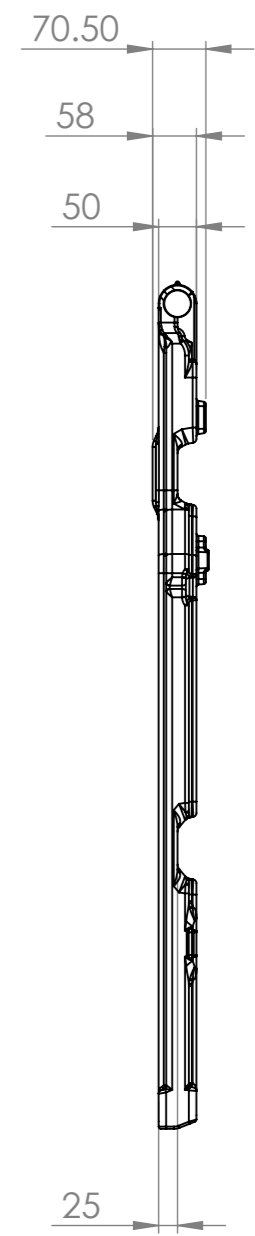
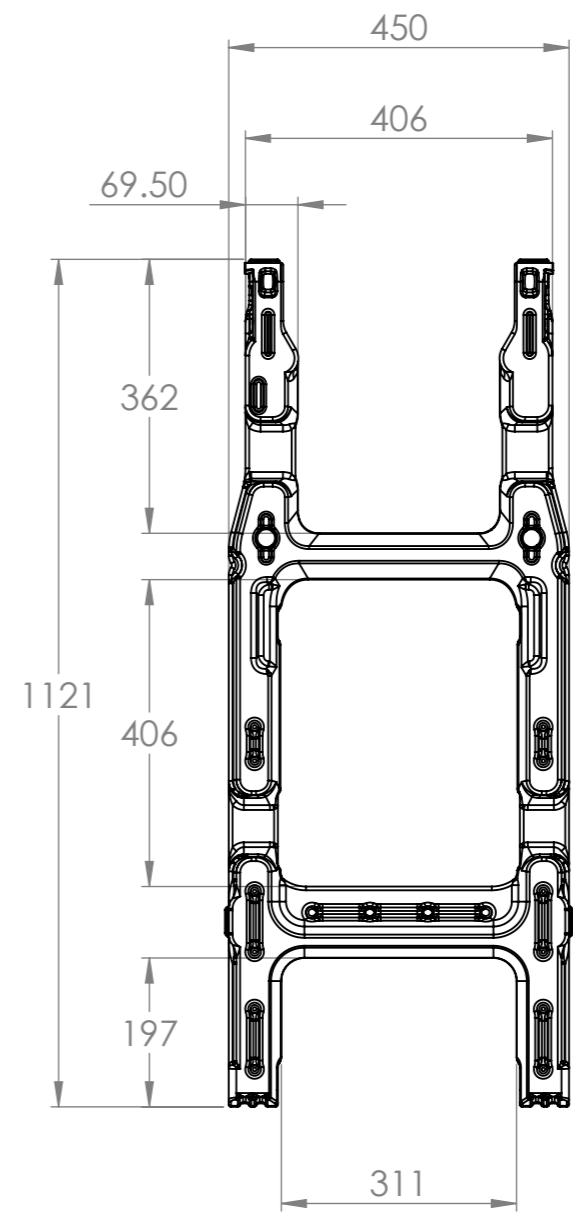
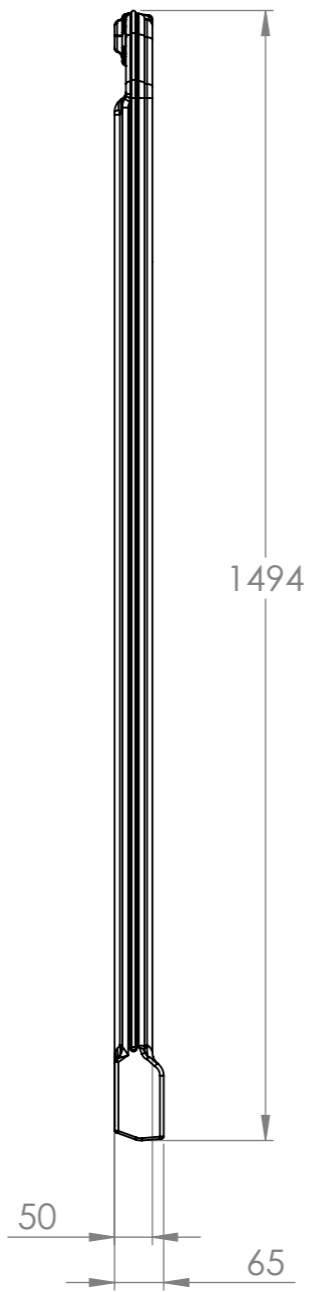


EMBOSSING



APPROVAL:		SIGNED:		DATE:	
ANGLE OF PROJECTION: Third Angle					
THIS IS A COMPUTER GENERATED DRAWING - REJECT IF MODIFIED BY HAND					
 melba swintex® <i>Manufacture Local, Deliver Global</i> Stubbins Vale Mill Stubbins Vale Road Ramsbottom. BL0 0NT www.melbaswintex.com		TITLE: <h1>Mini-Q Frame</h1>			
DRAWN		NAME		DATE	
		D. Wolstenholme		20 October 2020	
WEIGHT:		3.8 kg		DEBUR AND BREAK ALL SHARP EDGES UNLESS OTHERWISE STATED	
PROJECT/DWG NO:		396		REVISION	
				14	
				SHEET	
				A3	
UNIT OF MEASUREMENT: mm SCALE:1:10 SHEET 1 OF 1					

THIS DRAWING IS THE PROPERTY & COPYRIGHT OF MELBA SWINTEX AND MUST NOT BE COPIED OR COMMUNICATED WITHOUT WRITTEN PERMISSION.